

□□ □□ □□□□□□ □ □□□□□ □□□

DATA SHEET

SPEC. NO. : SZ20060503
DATE : 2020/06/05
REV. : A/0

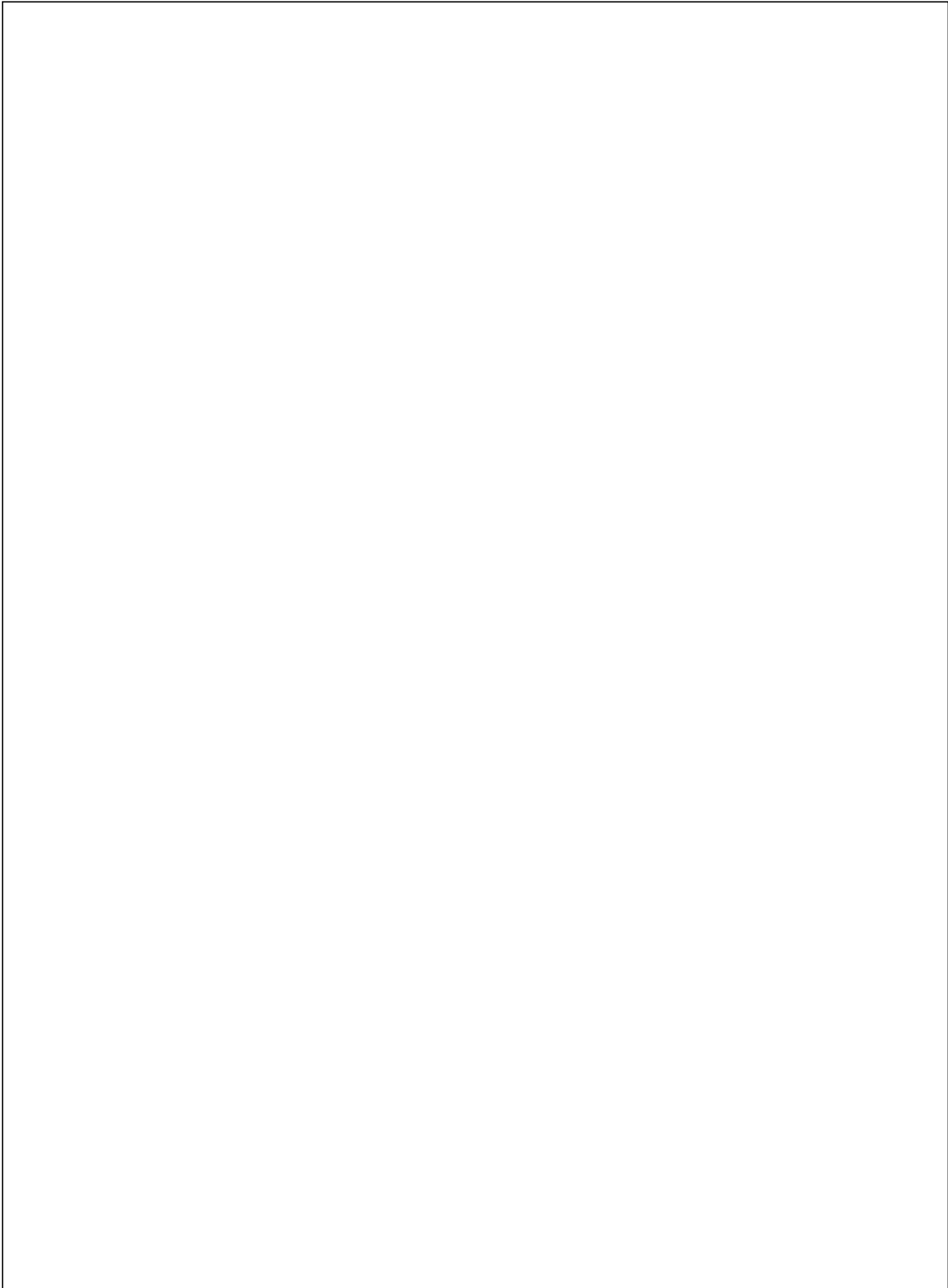
Approved By:

Checked By:

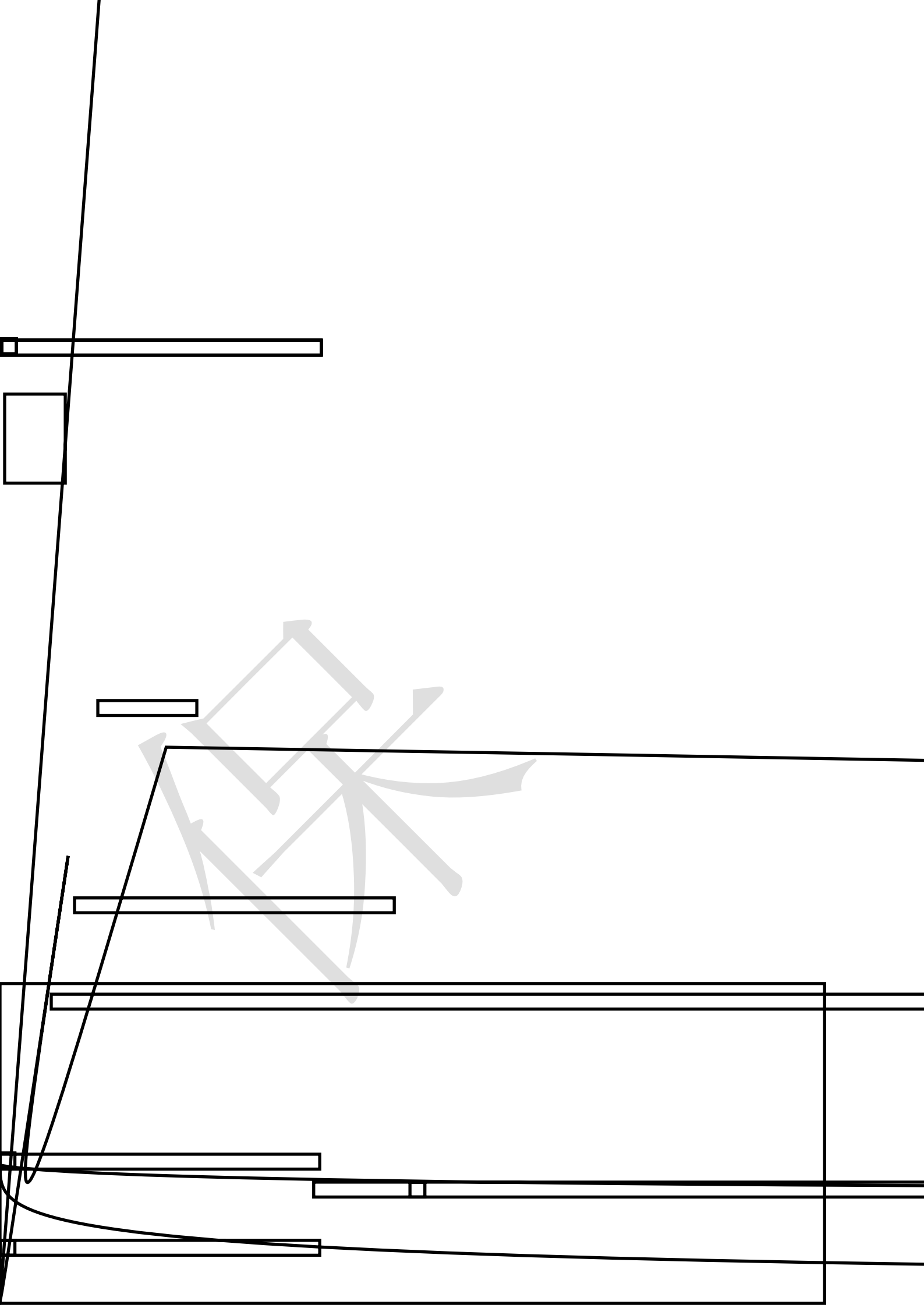
Prepared By:

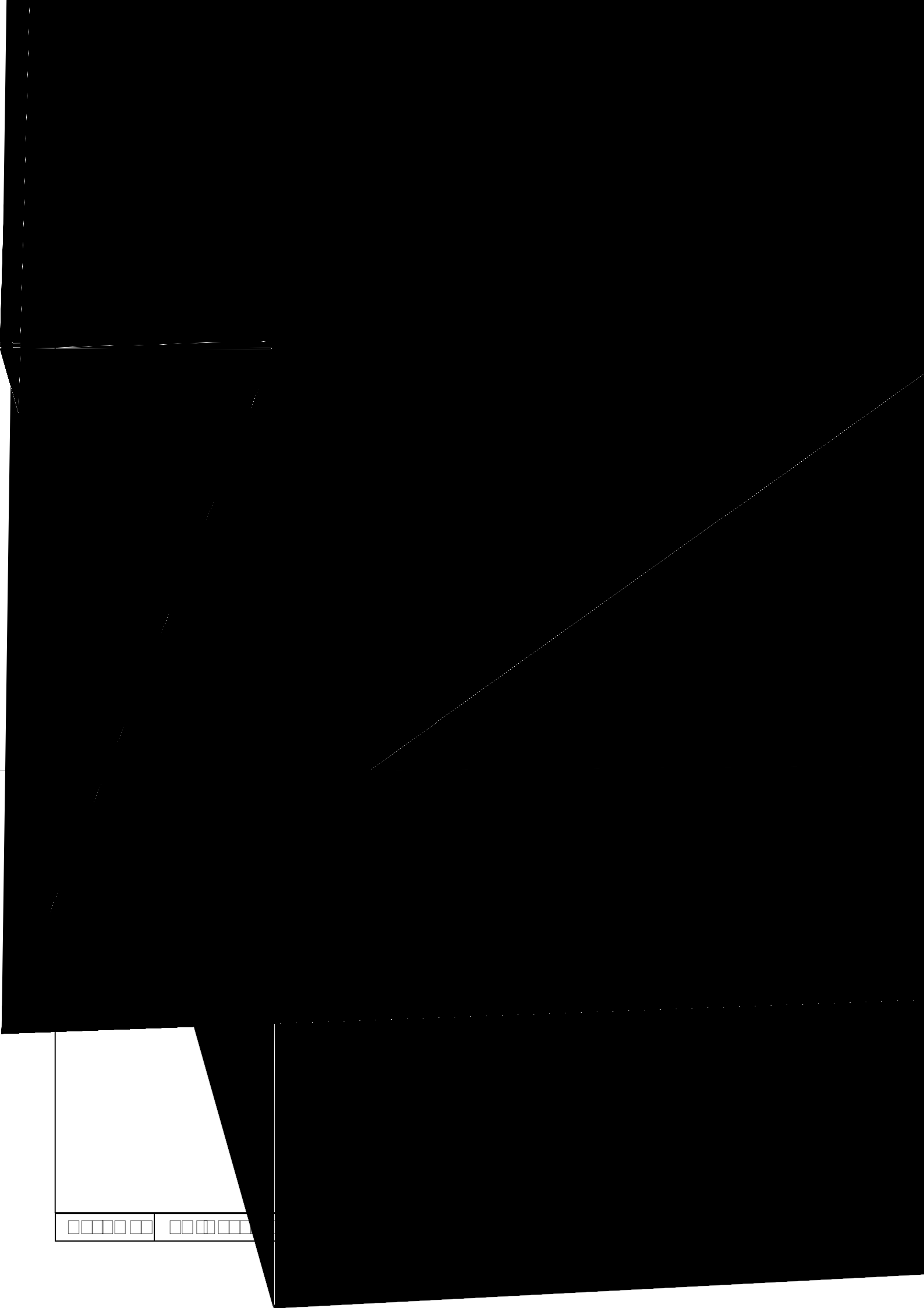
L

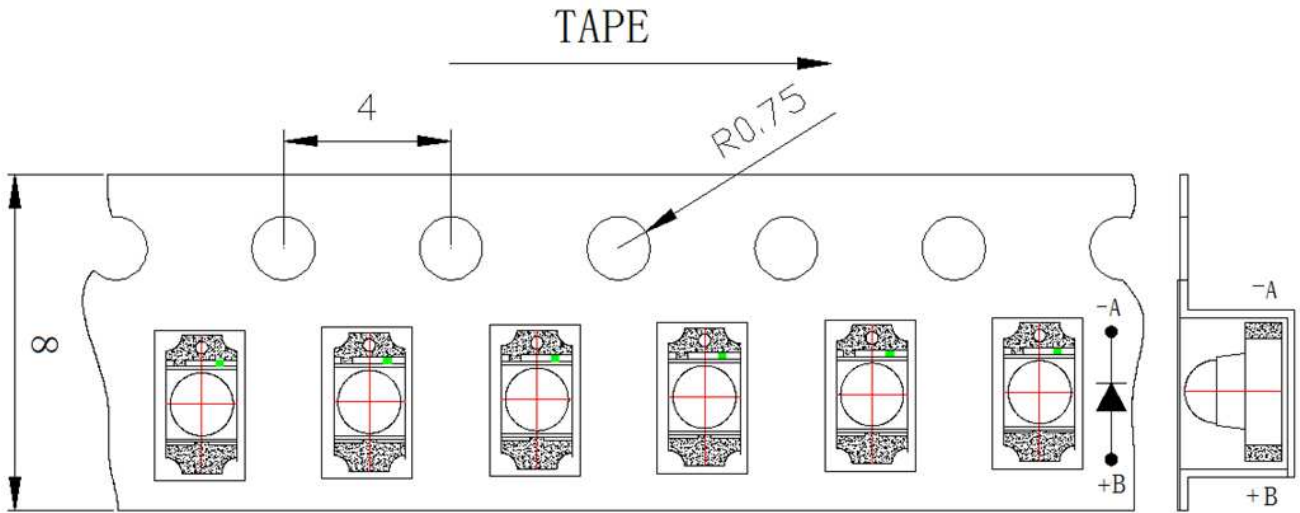
LIGHT ELECTRONICS CO., LTD.



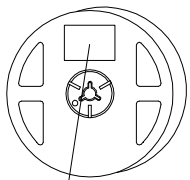
□□□□□□	□□□□□□□□□□□□□□□□□□	□□□□	□□□□
--------	--------------------	------	------



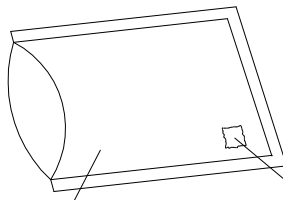
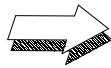




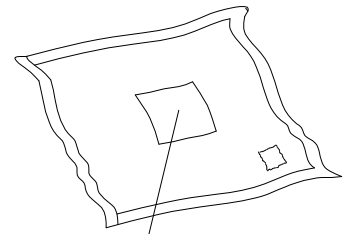
□□□□ Tolerance unless mentioned is ± 0.1 mm; Unit = mm



LIGHT universal Label



Aluminum moisture-proof bag



Desiccant

Customer defined Label or LIGHT universal Label

