

LG-IRM2A638KEF3

Infrared Receiver Module

DATA SHEET

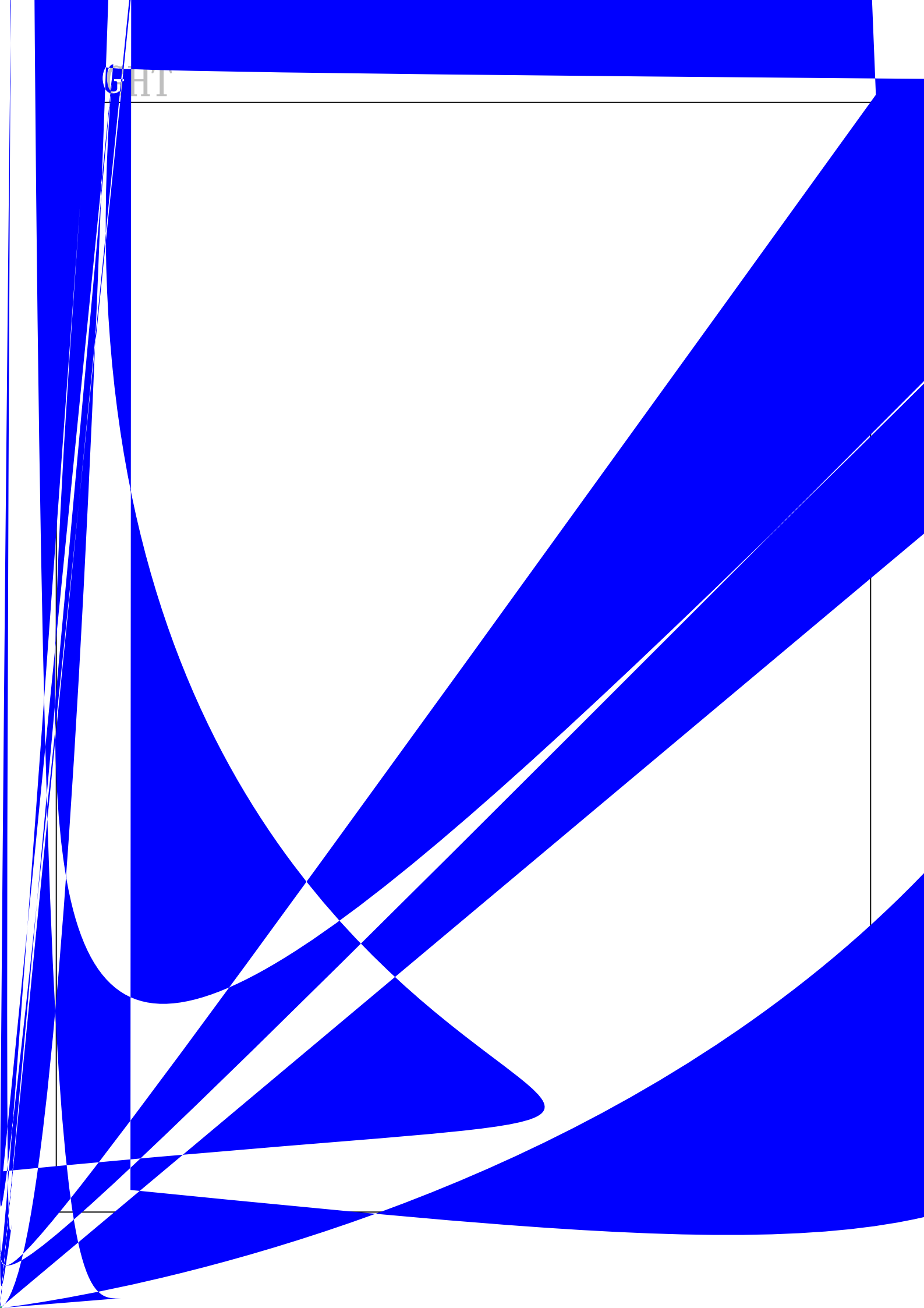
SPEC.NO. : SZ19070801
DATE : 2017/07/08
REV. : A/0

Approved By:

Checked By:

Prepared By:

GHT

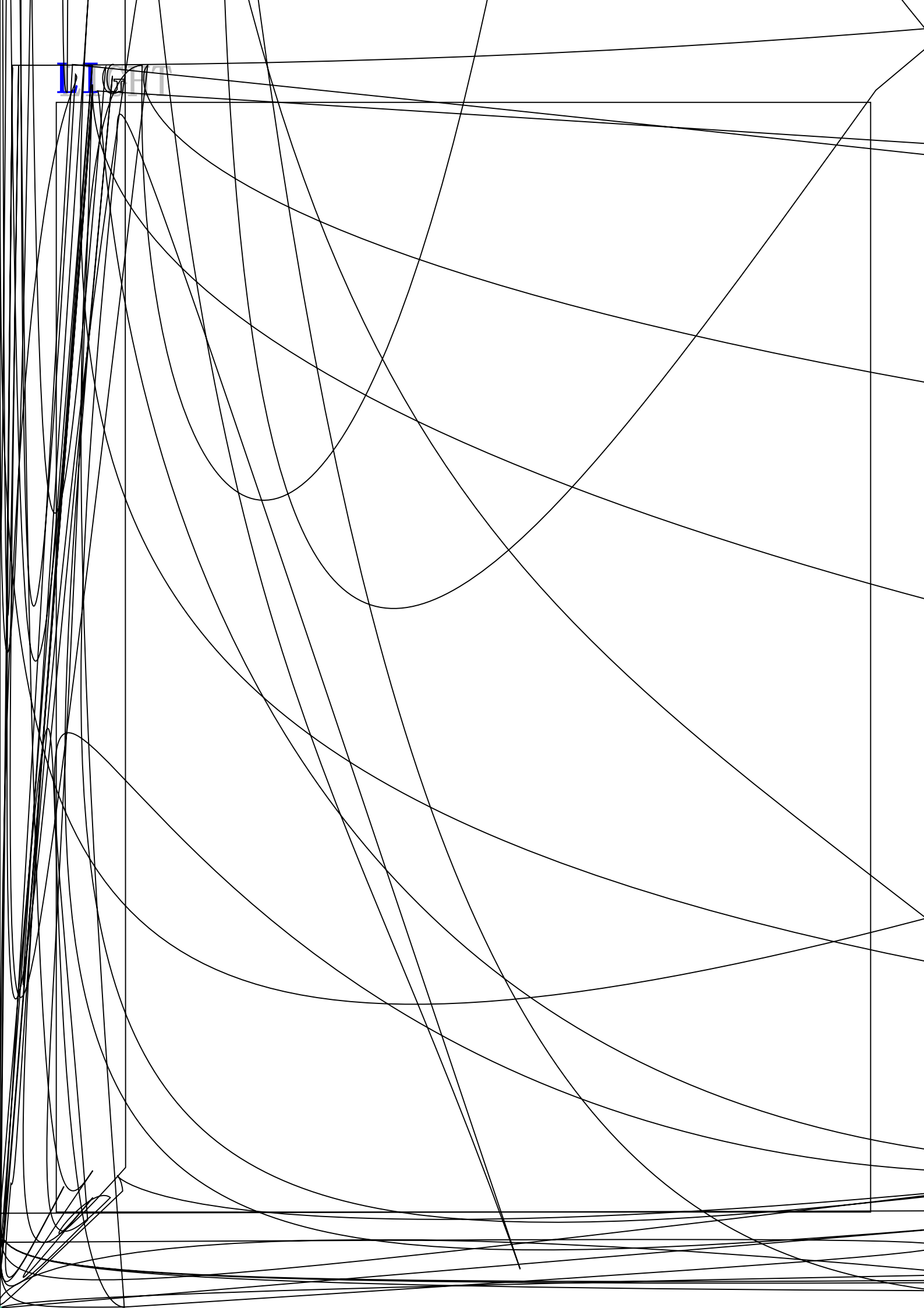


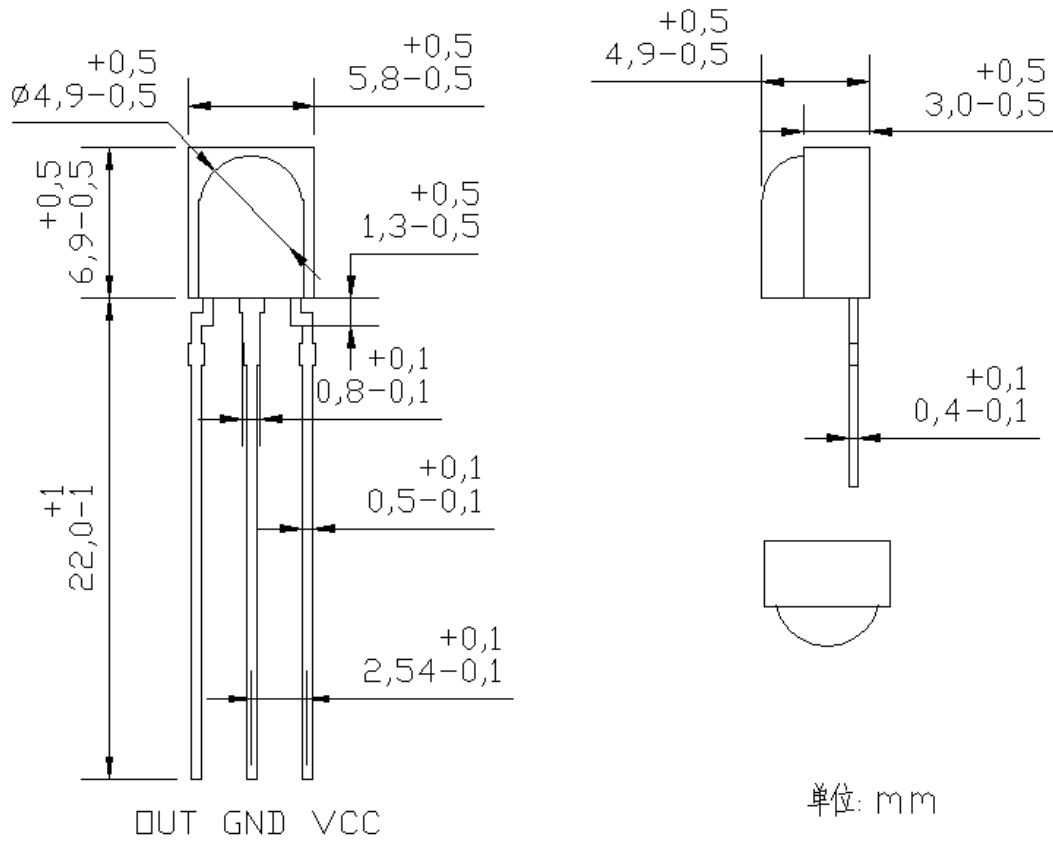
LIGHT





LIGHT





LIGHT

