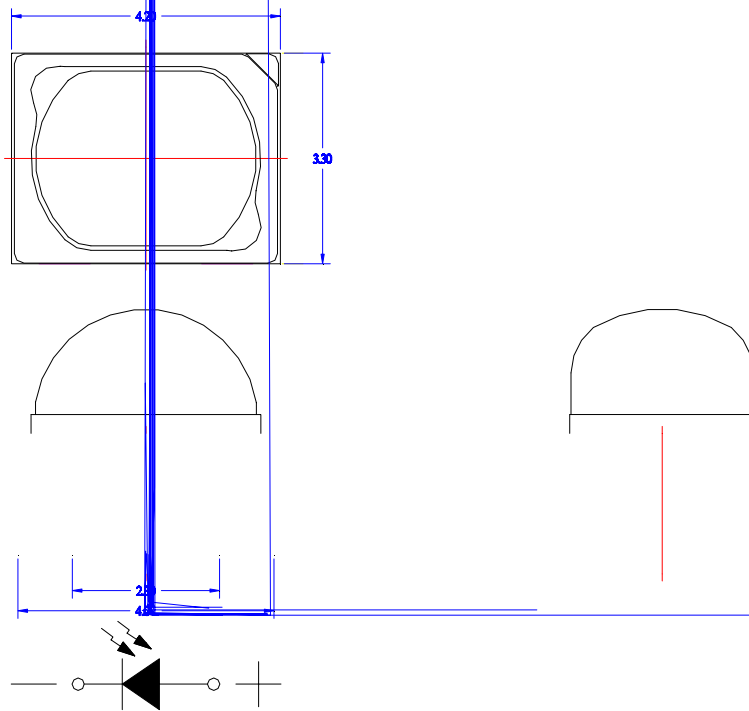


Features

- Pb free product—RoHS compliant
- High Photo Sensitivity
- Reliable and rugged
- Long life – solid state reliability
- Sensitivity angle: 85°

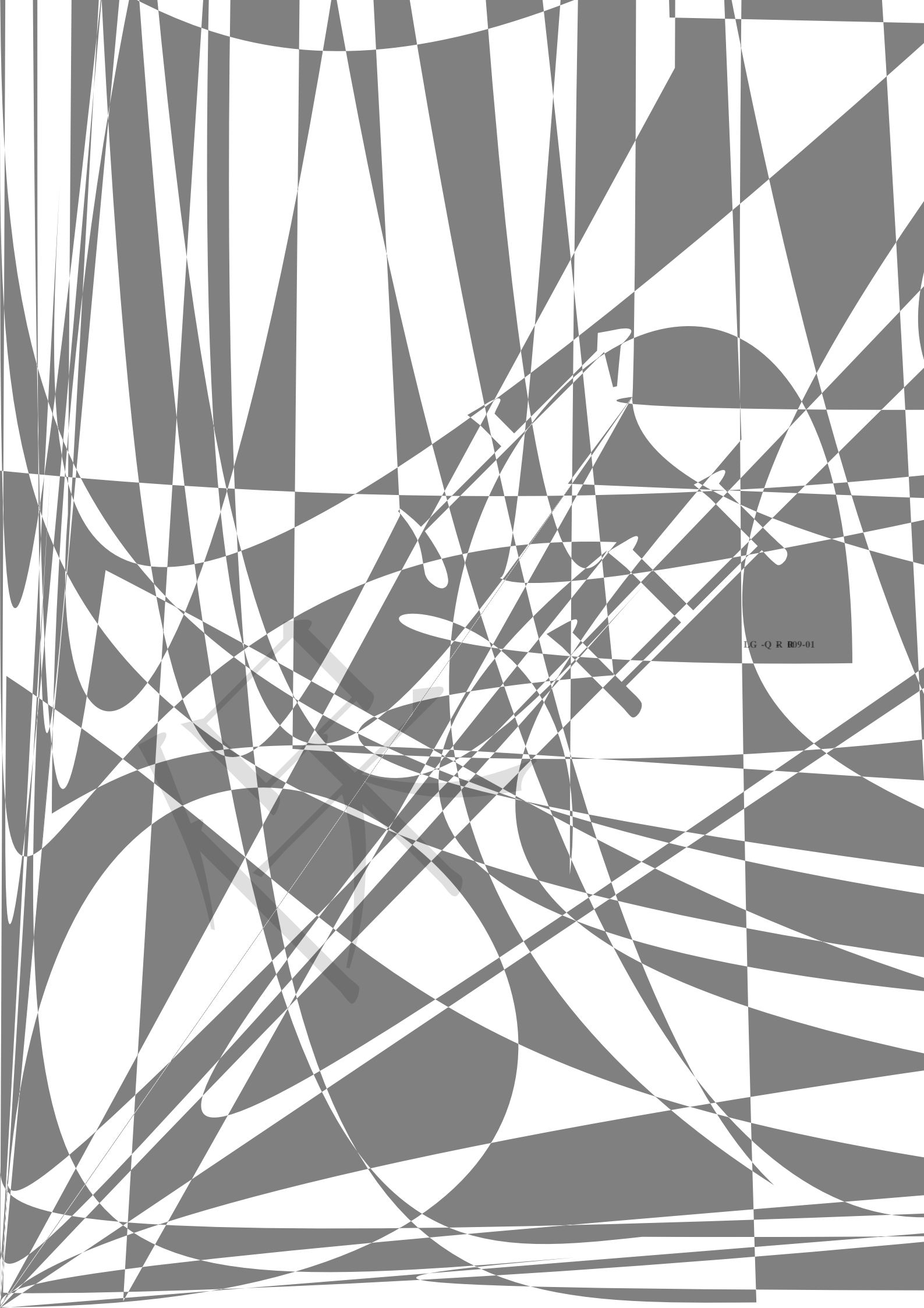
Package Dimension



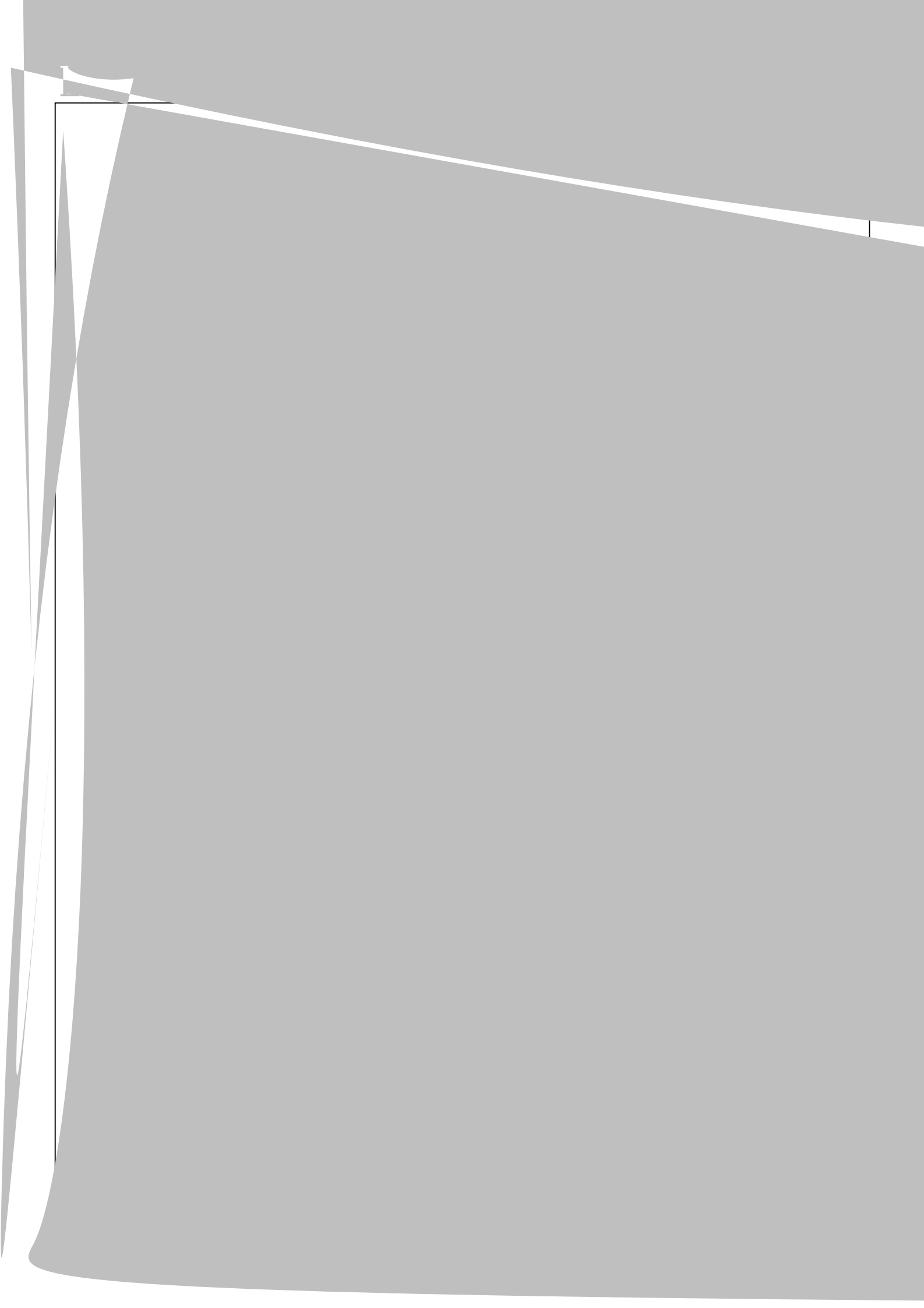
Part NO.	Chip Material	Lens Color
SL-T4232PDB020-L415	Silicon	Black

Notes:

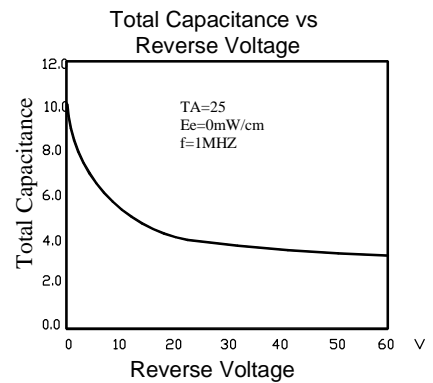
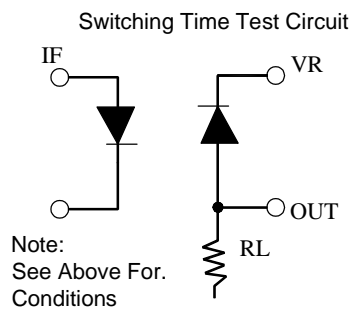
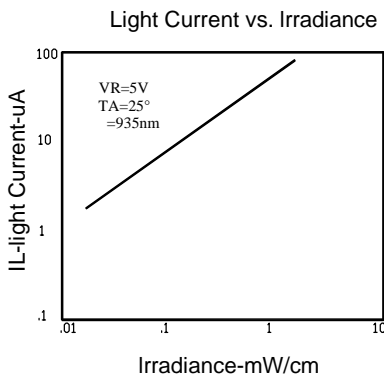
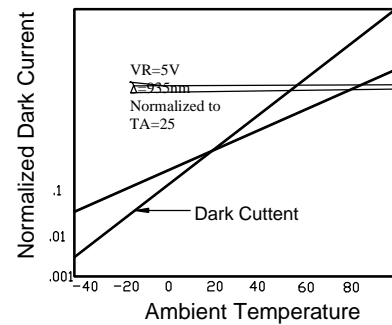
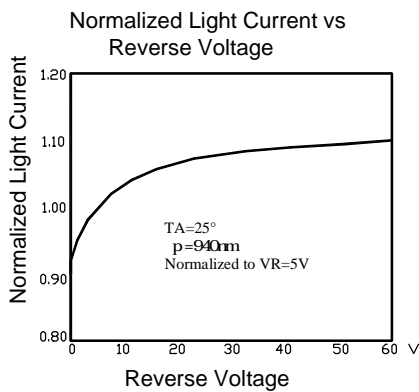
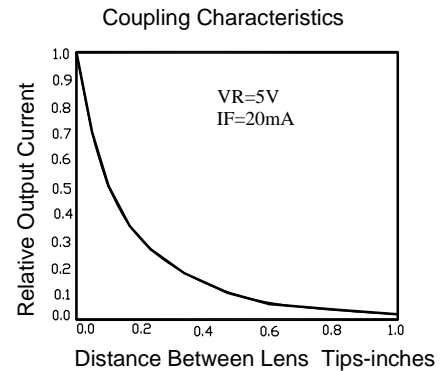
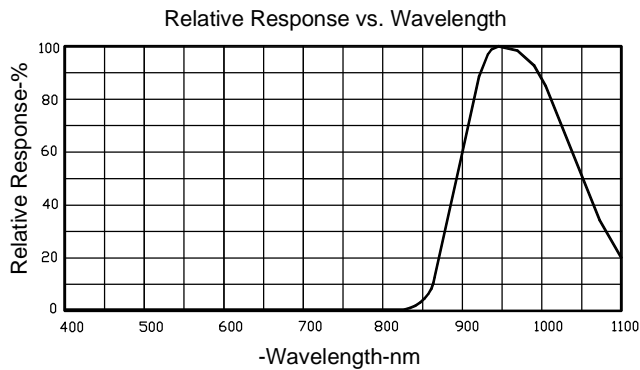
1. All dimensions are in millimeters.
2. Tolerance is $\pm 0.10\text{mm}$ unless otherwise noted.
3. Specifications are subject to change without notice.



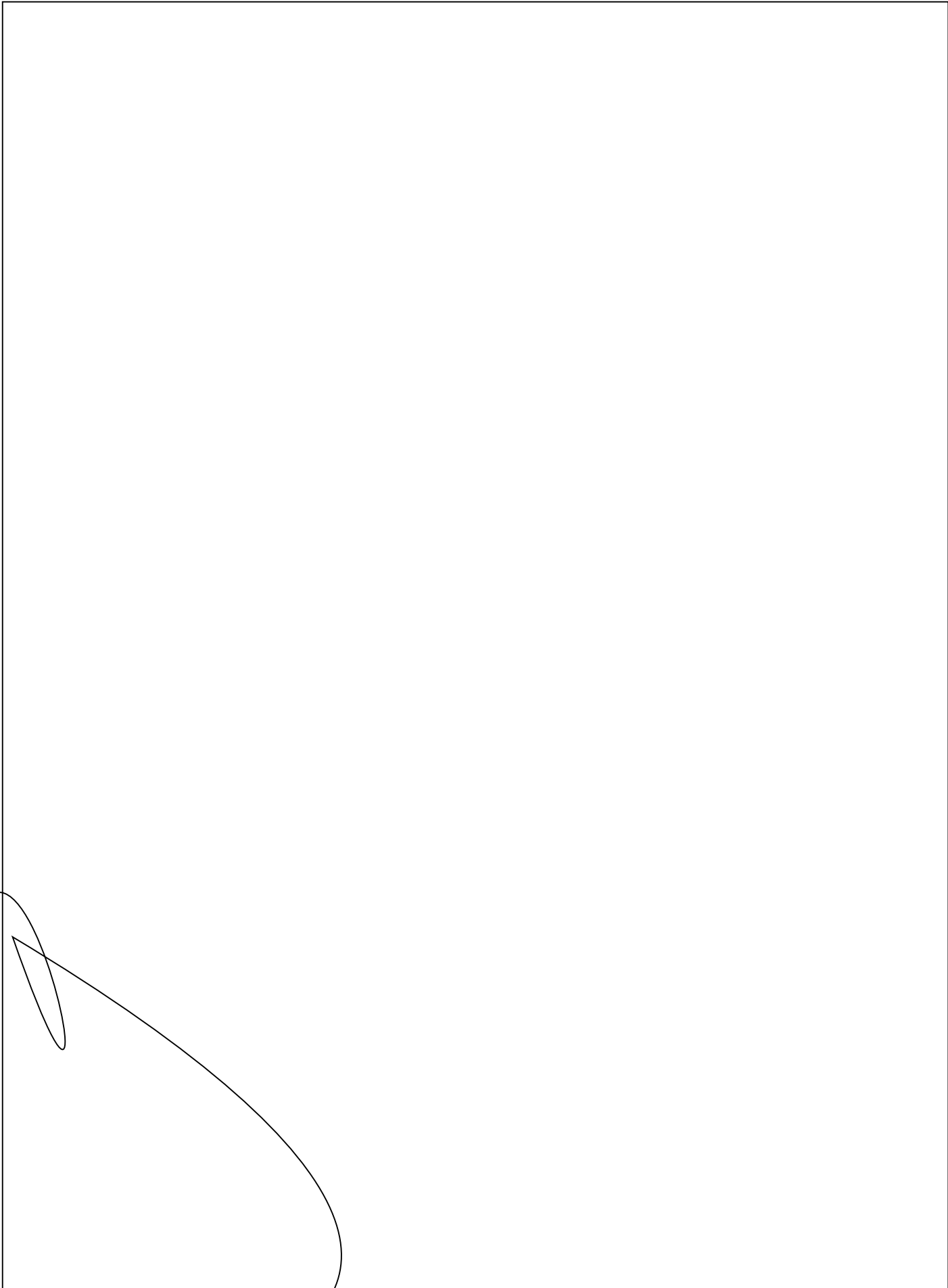
IG -Q R R09-01



Typical Electrical / Optical Characteristics Curves (25 Ambient Temperature Unless Otherwise Noted)



LIGHT



Part No. SL-T4232PDB020-L415

Page

7 of 9

LG-QR-R009-01

RIGHT

Part No. SL-T4232PDB020-L415

8 of 9

LG-QR-R009-01

