

LG-IRM2A838KSF3

Infrared Receiver Module

DATA SHEET

SPEC.NO. : SZ21052401
DATE : 2021/05/24
REV. : A/0

Approved By:

Checked By:

Prepared By:

1

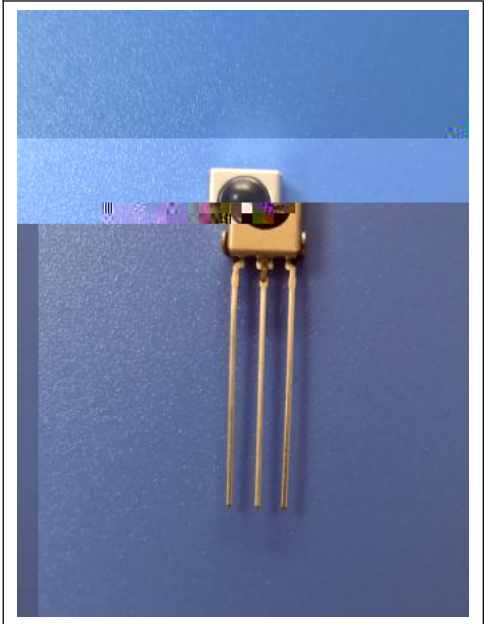
IRM2A838 SF3 PIN
 IC,
 REACH RoHS

2

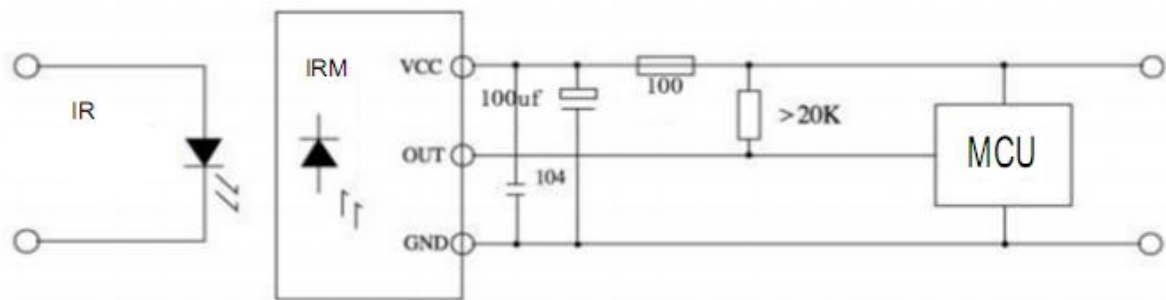
2.7-5.5V

3

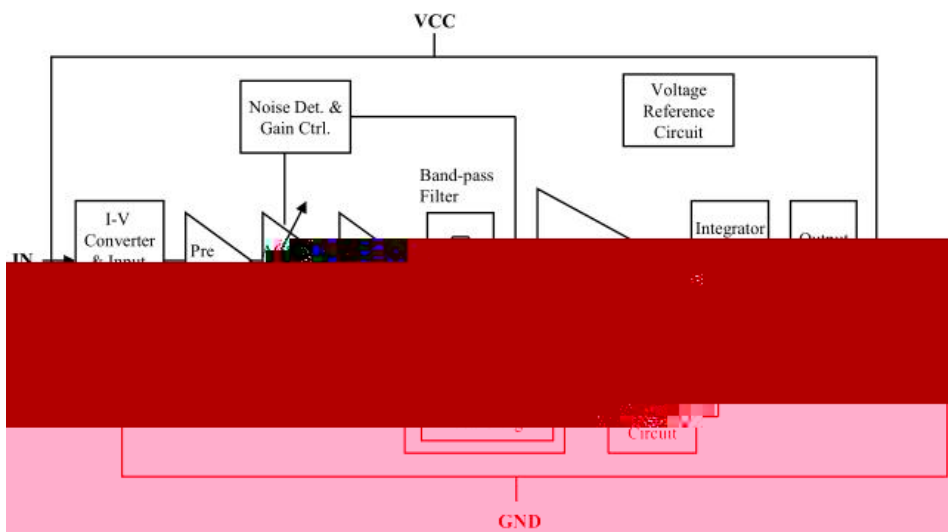
:
 (MP3 MP4,)



4



5

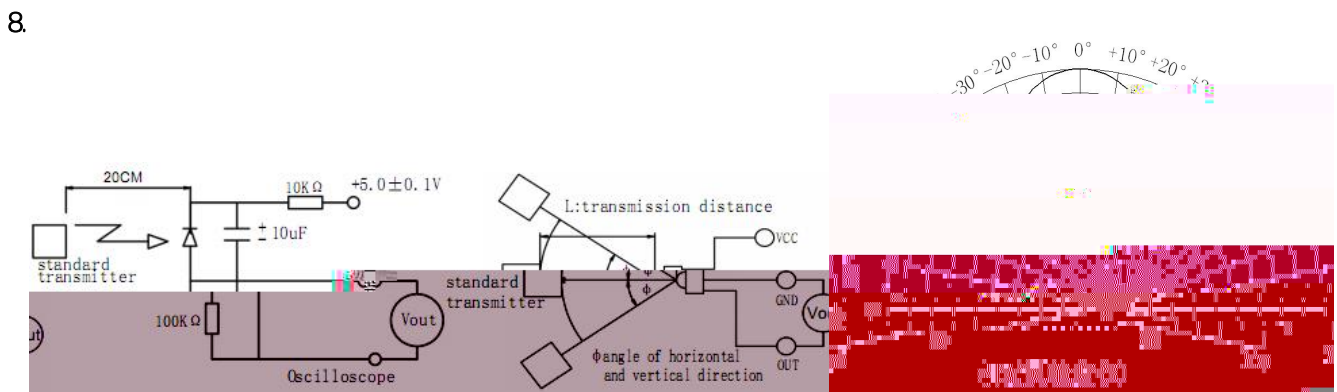


6 (T=25 Vcc=5v f_o=38KHZ)

			Min	Type	Max			
		I _{CC}	VDD=3v	0.4	0.7	1.2	mA	
	L	0°	14	16			M	
	L	45°	7	8			M	
	L	45°	7	8			M	
		f _o		37.9			kHz	
BPF	f _{BW}		-3dB Bandwidth ,Vin=30μV p-p		4	6	8	kHz
		V _{OL}	I sink=2.0mA			0.2	0.4	V
		V _{OH}			2.7	3.0	-	
		T _{PW}	burst wave Vin=50mV p-p		400	600	800	μS
		Tburst	Vin=50mV p-p		300			us
		Tburst gap	Vin=50mV p-p		350			us
		Tpause	Vin=50mV p-p		1			ms

L - p51 RāC āC- 7p7, 2pb 5pL , 1M āp

7 :
Toshi ba/NEC/Sharp/Matsushi ta/RC5_Phi I i ps/Sony 12bi t/Zeni th/RC6/Conti nuous Code/ Jvc/RCA.



9

		Min	Typ	Max	
	V _{DD}	2.7	-----	5.5	V
	FM		37.9		kHz
	Topr		25		

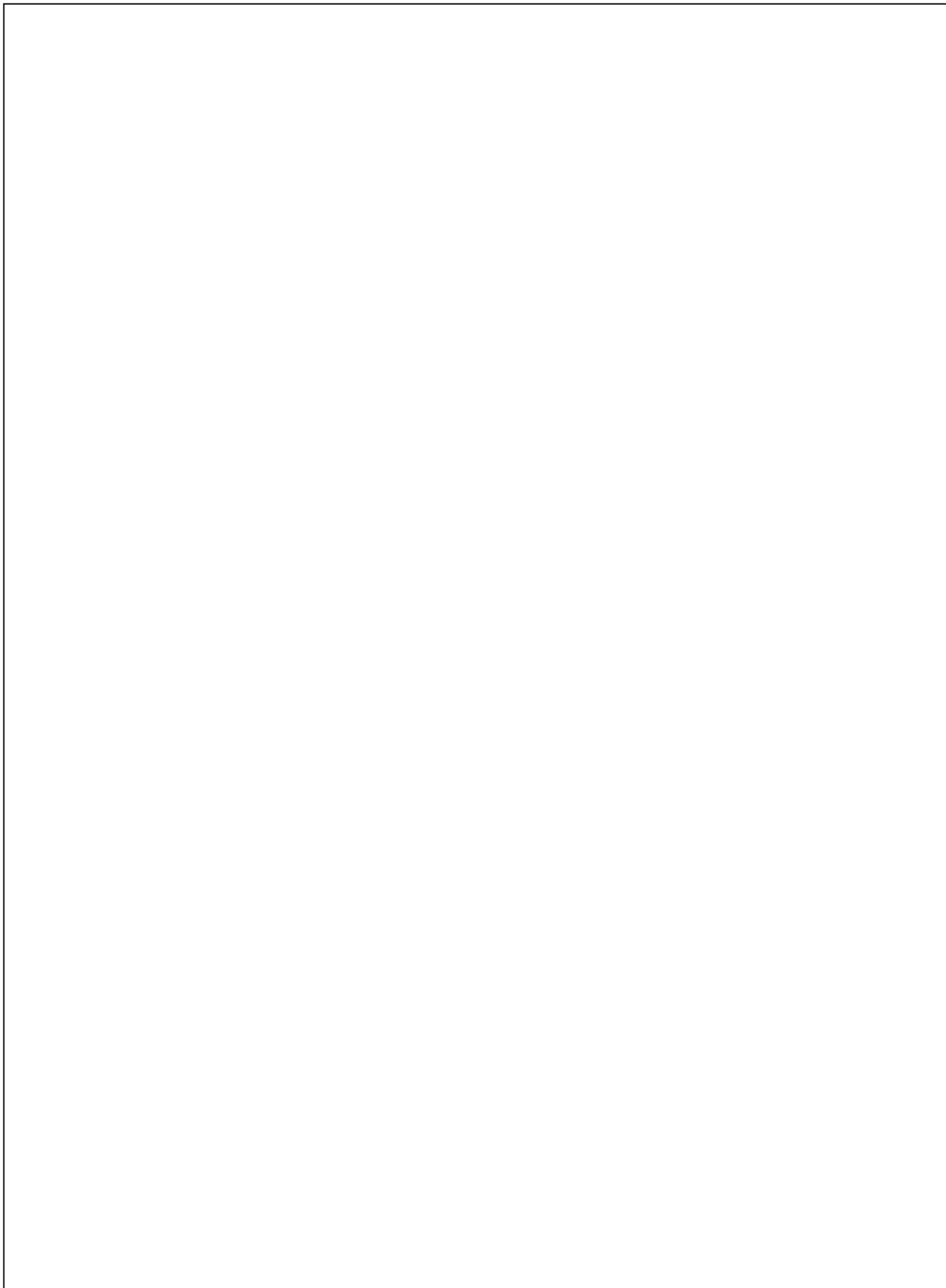
10 :

	V _{DD}	6.0		V
	Tstg	-40 --- +125		
*	Tsol	260± 5 5S		

* 2.0mm

LI

LIGHT ELECTRONICS CO., LTD.



LIGHT ELECTRONICS CO., LTD.

