

SL-T2835WD060-L70-A-XX

DATA SHEET

SPEC.NO.: SZ22081701
 DATE: 2022/08/17
 REV.: A/0

Approved By:

Checked By:

Prepared By:

)

Forward Current

Pulse Forward Current

Power Dissipation

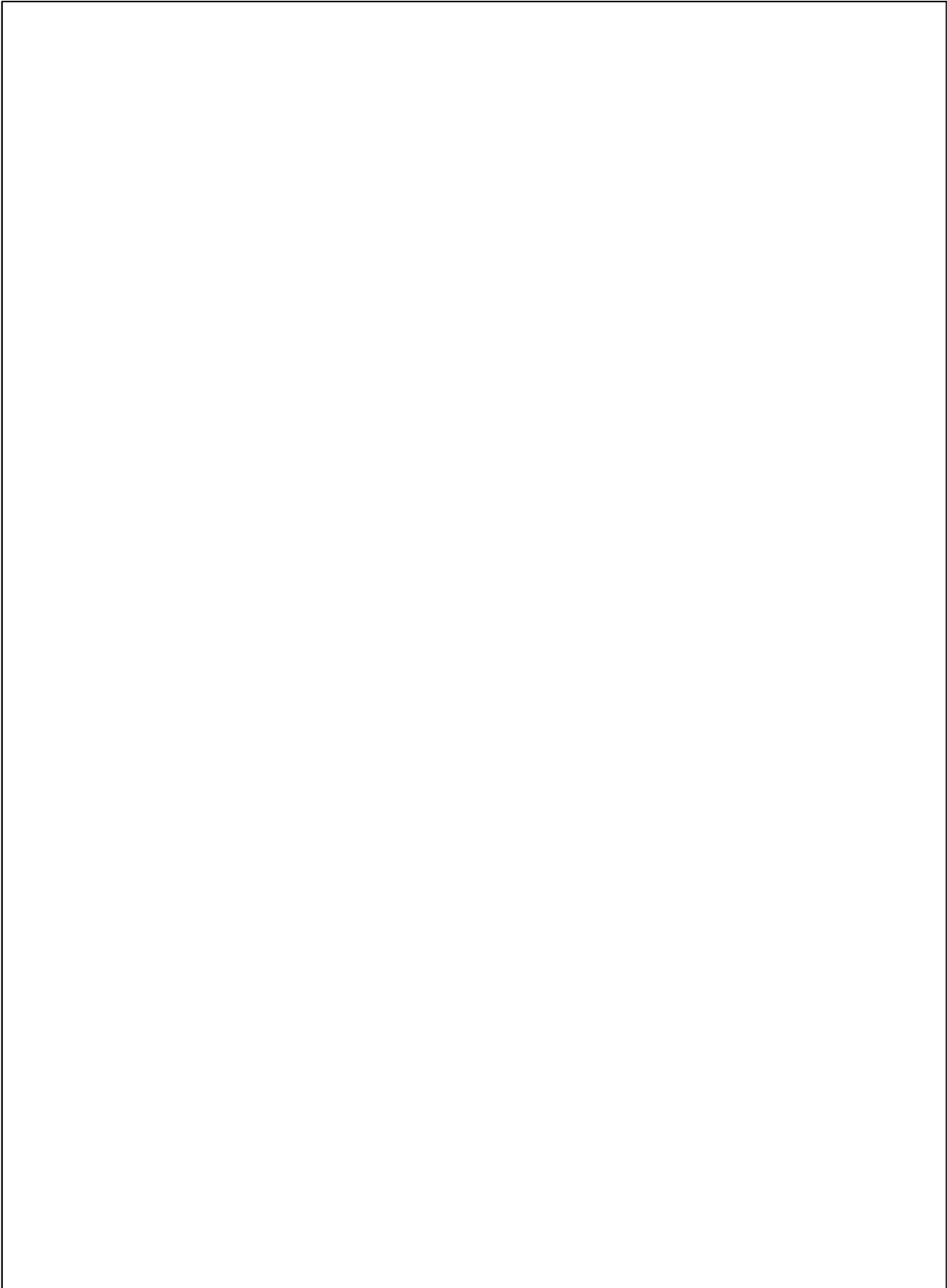
Operating Temperature

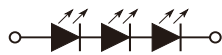
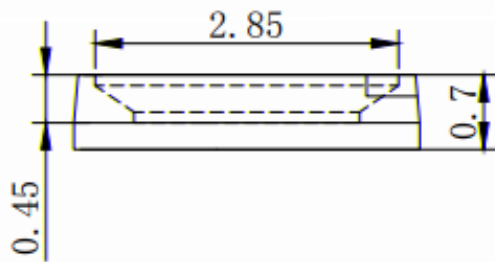
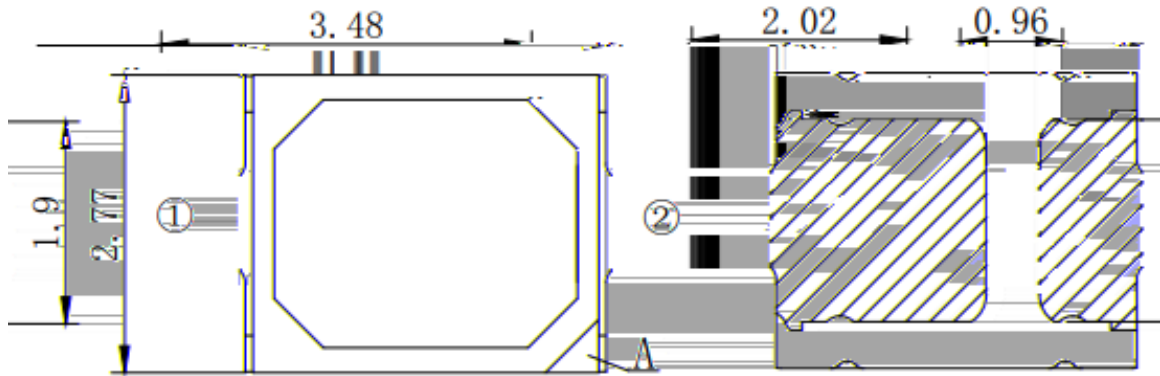
Storage Temperature

Junction Temperature

Welding temperature

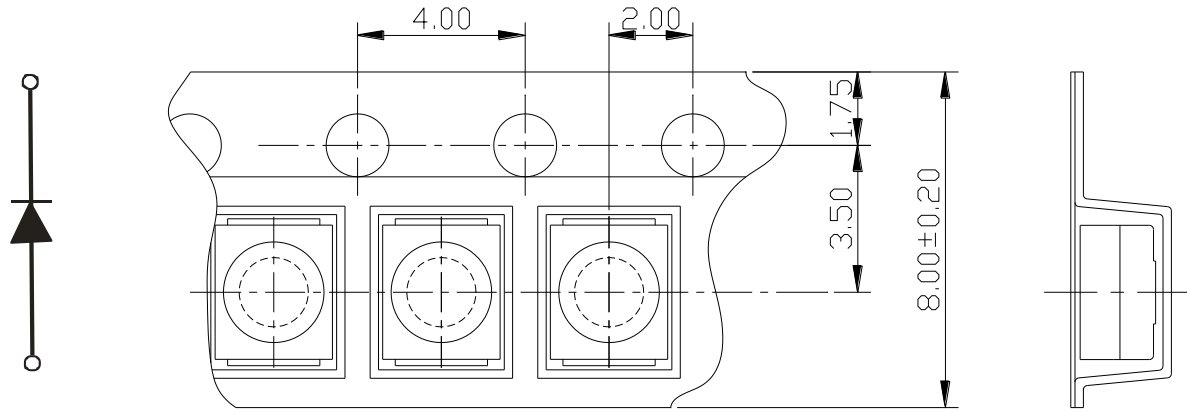






Polarity

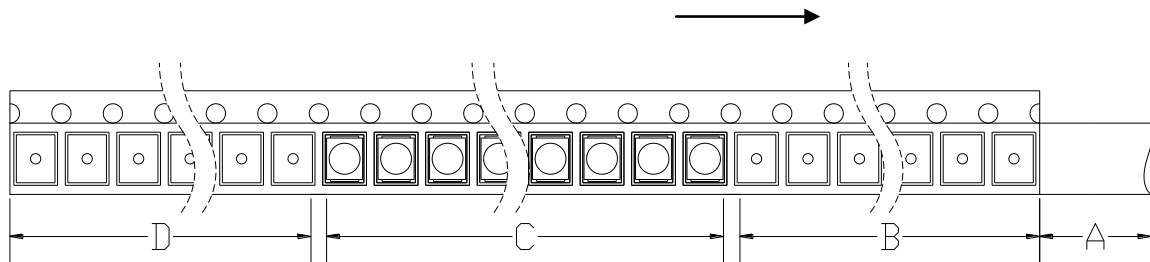
✧



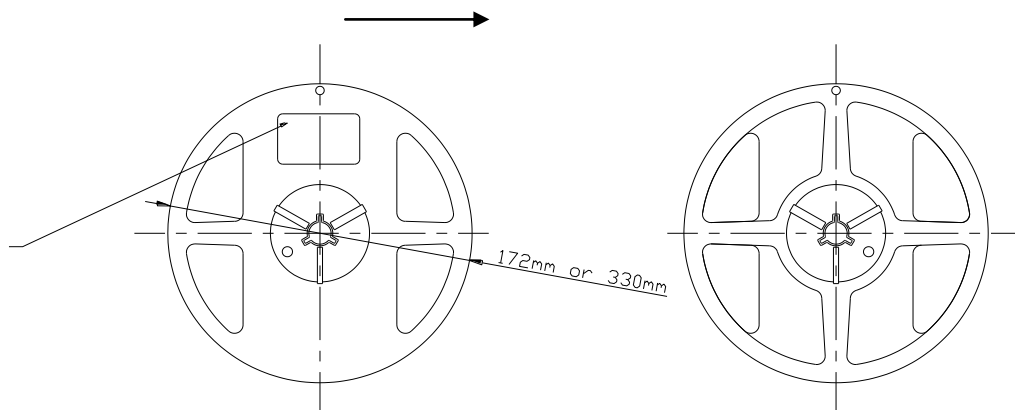
±

±

✧

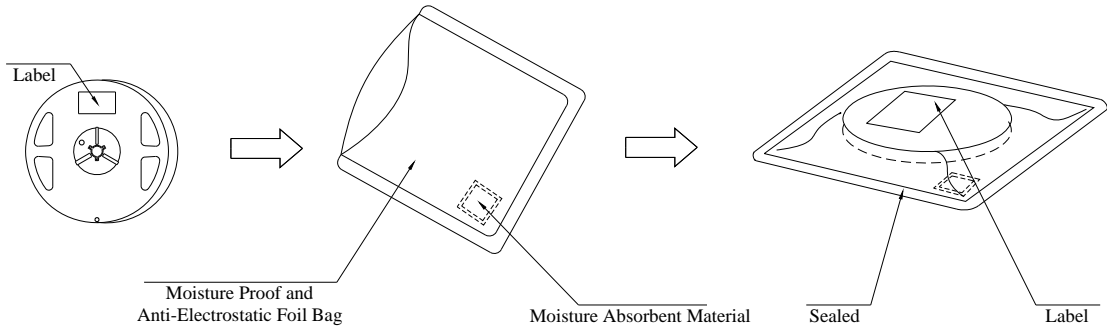


✧

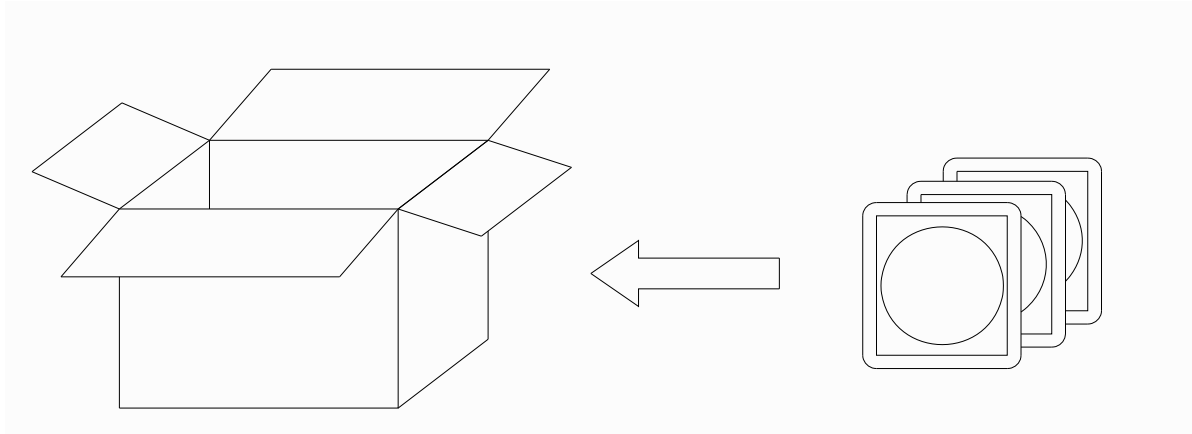




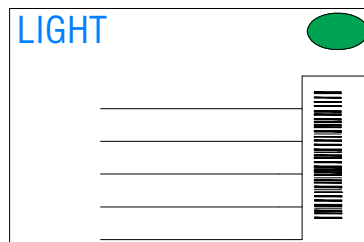
Moisture Proof and Anti-Electrostatic Foil Bag



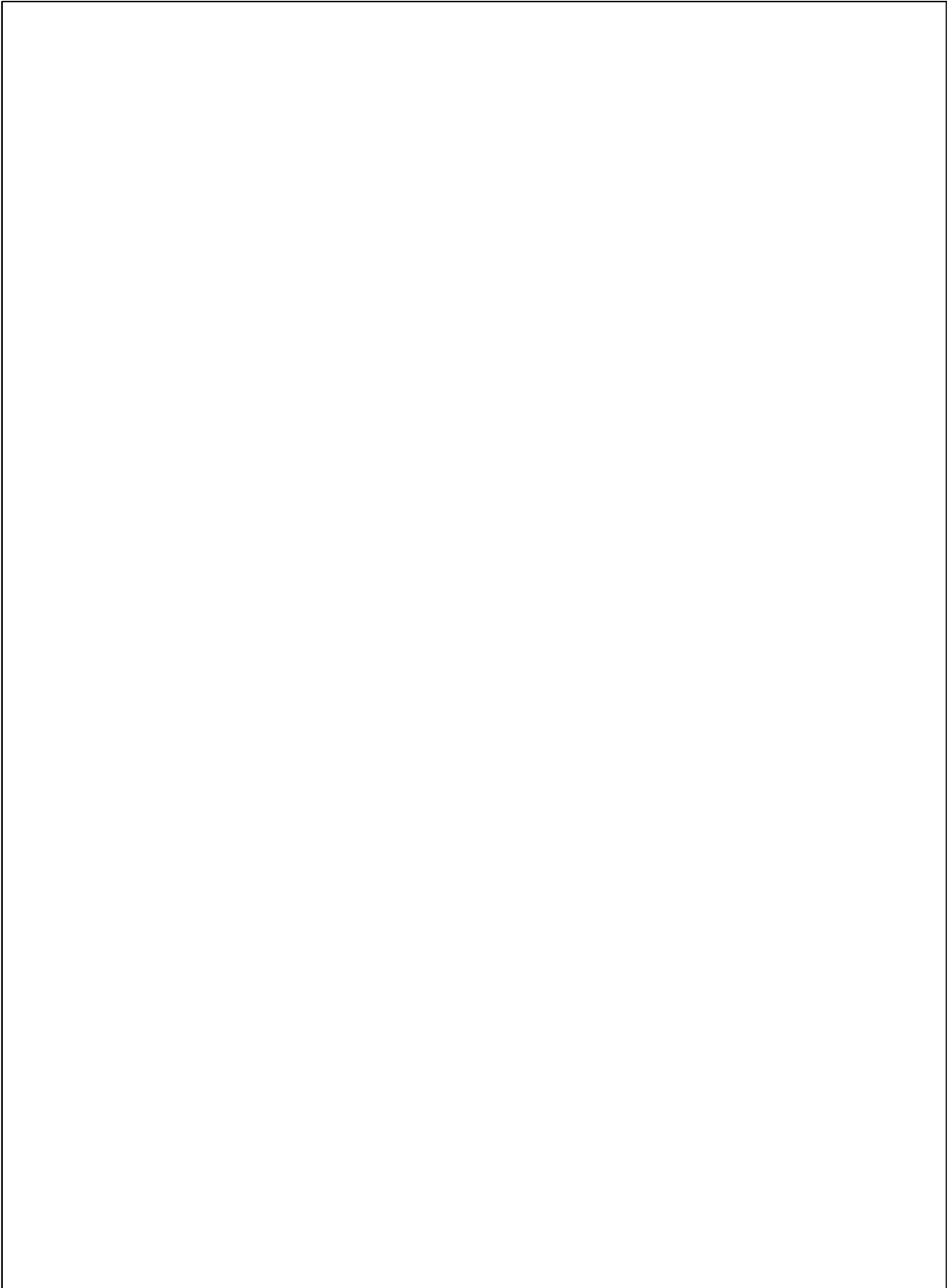
Cardboard Box



Label Explanation

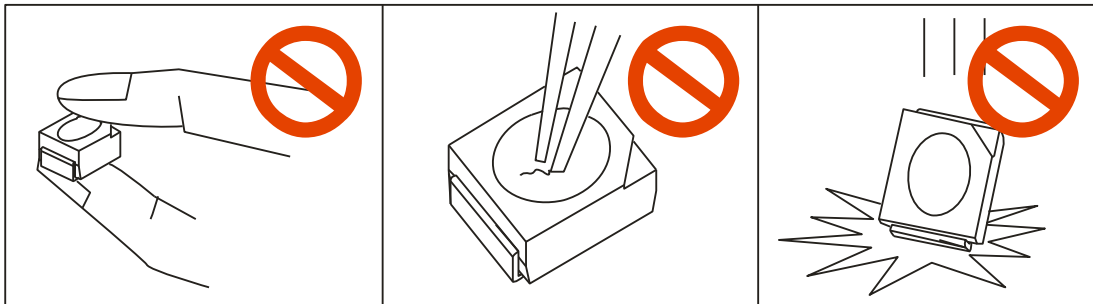
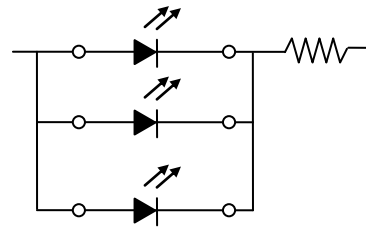
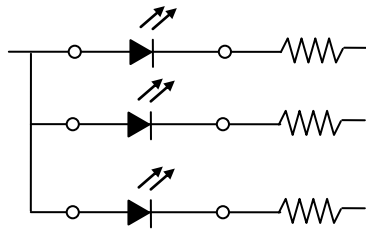


LIGHT



6

LIST





LIGHT

LIGHT ELECTRONICS CO., LTD.