



0

G

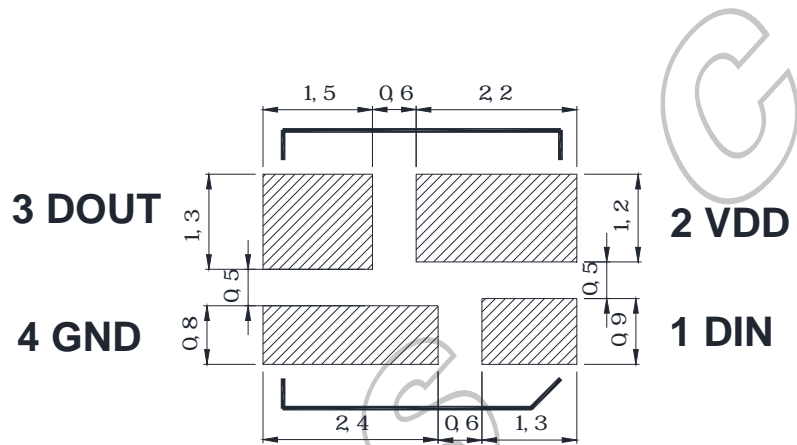
S

P

0

5.

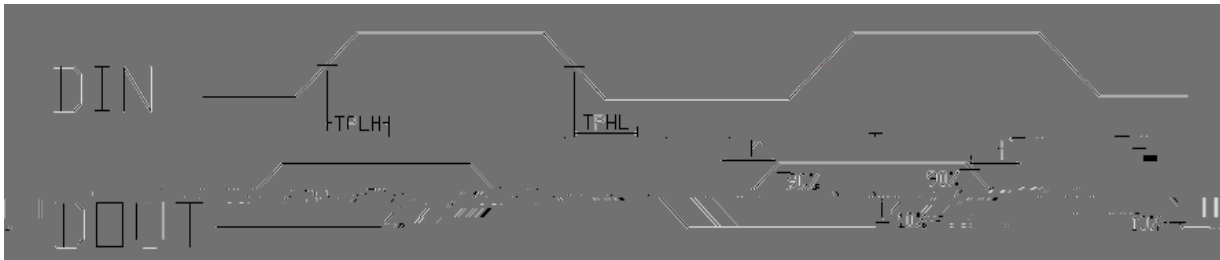

6.





10.

	fDIN					
	T <sub>PLH</sub>					→



11.

		Min.		Max.	
T		1.20	--	--	μs
T <sub>0H</sub>	0	0.2	0.3	0.4	μs
T <sub>0L</sub>	0	0.8	--	--	μs
T <sub>1H</sub>	1	0.58	0.64	1.0	μs
T <sub>1L</sub>	1	0.2	--	--	μs
Trst	Reset	>80	--	--	μs

1.

“ 0 ” “ 1 ”

2.

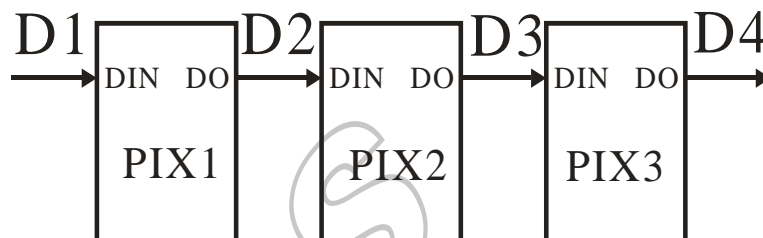
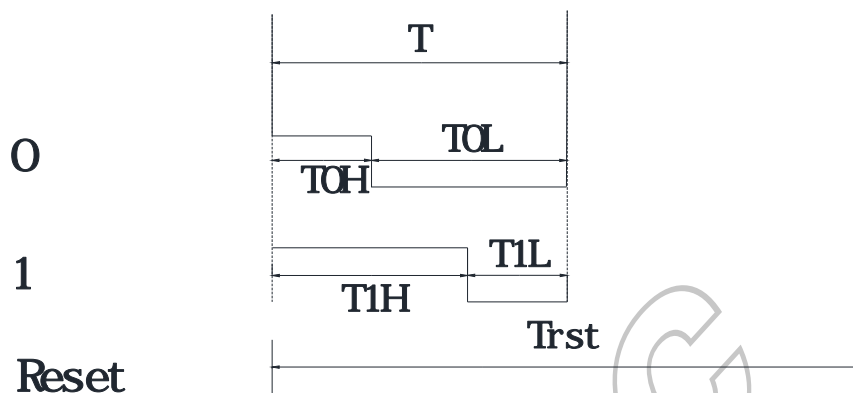
1.2μs

3. “0” “1”

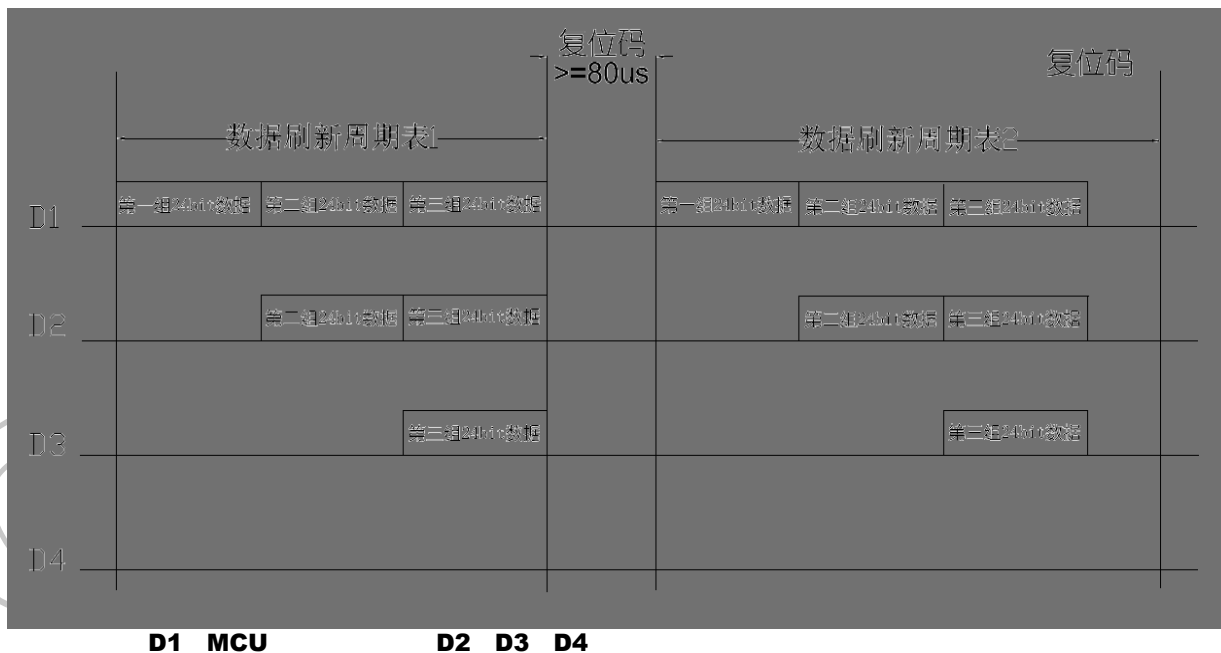
“0” “1”

20μs.

12.



13.

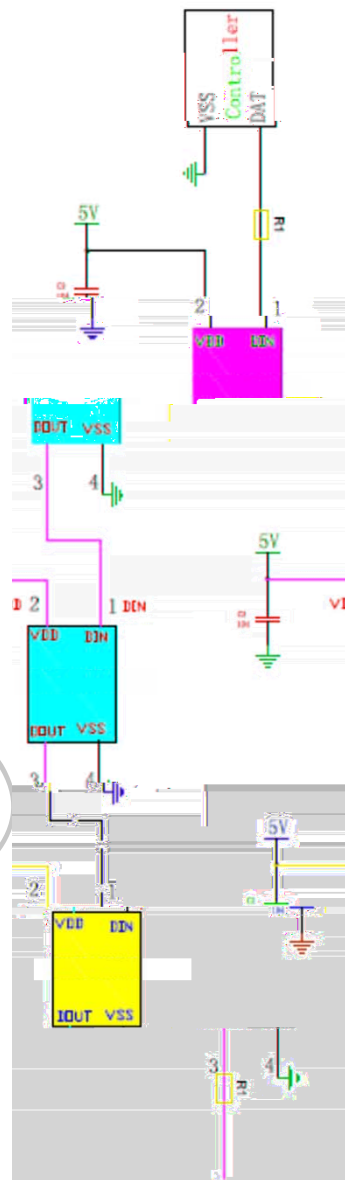


### 14. 24bit

G7	G6	G5	G4	G3	G2	G1	G0	R7	R6	R5	R4
R3	R2	R1	R0	B7	B6	B5	B4	B3	B2	B1	B0

**GRB**                      (**G7 → G6 →.....B0**)

### 15.



IC

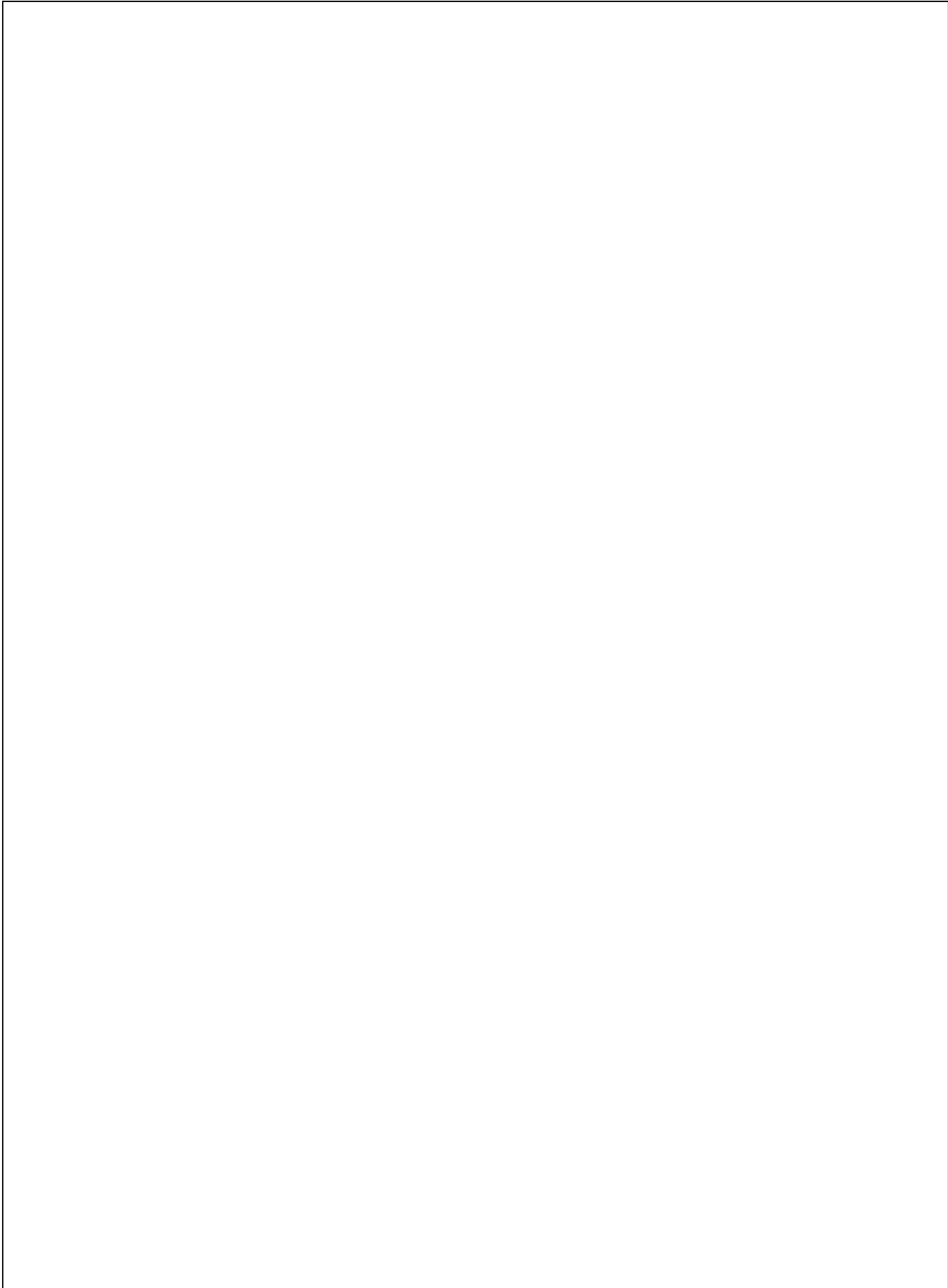
IC

R1

500

**LIGHT**

**LIGHT ELECTRONICS CO., LTD.**

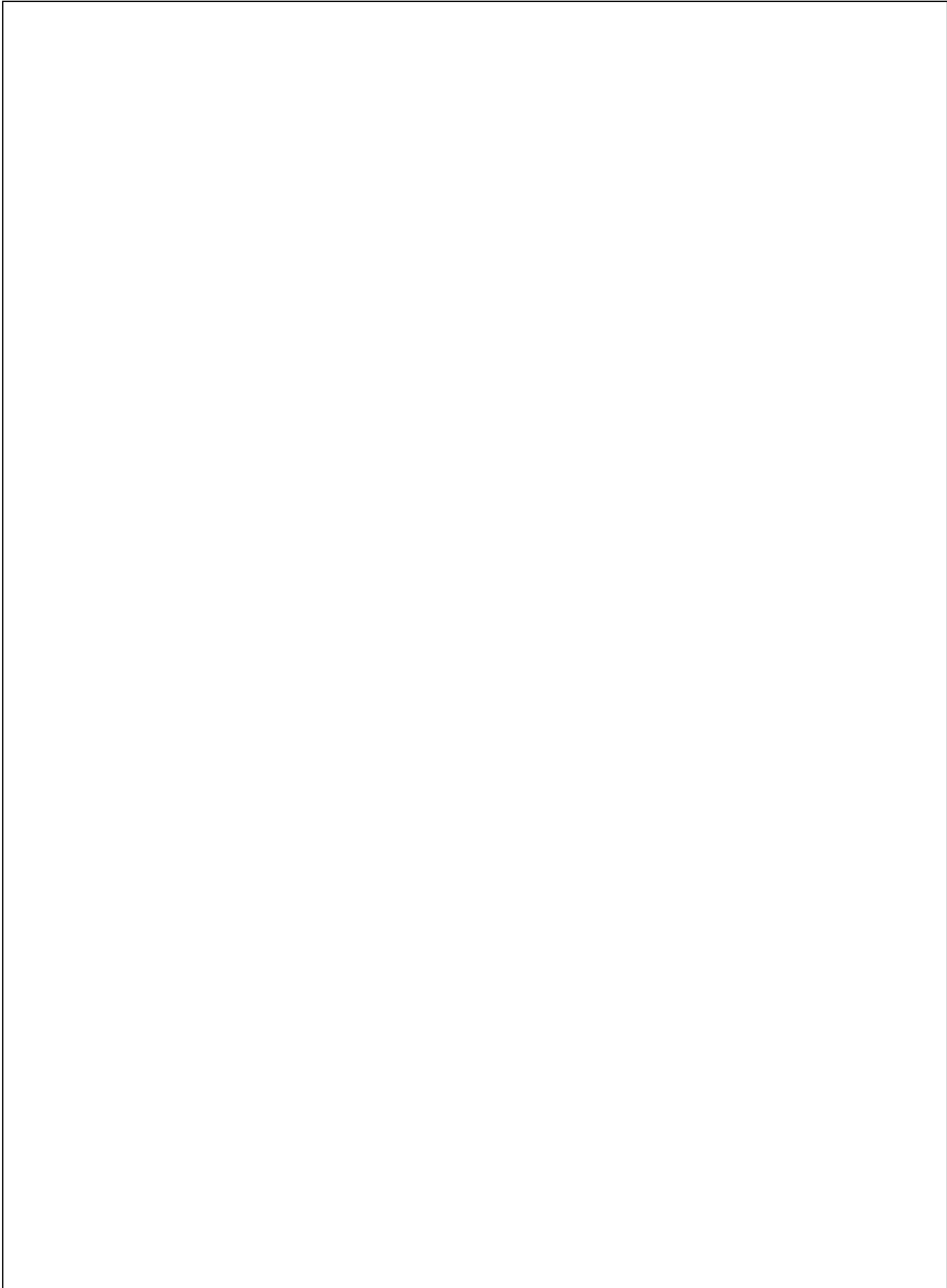




		± ° ° ± °		
		°C 1000hrs		
		°C 1000hrs		
		°C RH=90% 1000hrs		
		-55°C °C °C °C		
		°		
		°		

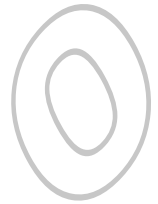

LIGHT

**LIGHT ELECTRONICS CO., LTD.**



3.3.

**LED SMT**  
**TOP SMD** <30 C/60%RH 2



3.4.

**0.5H**

**PCB**

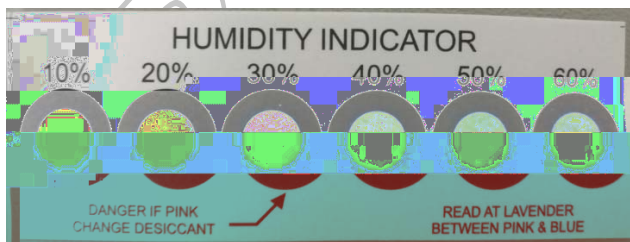
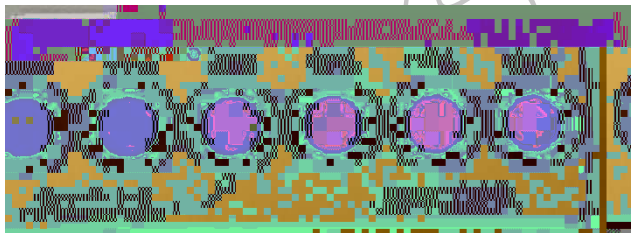
**PCB SMT**



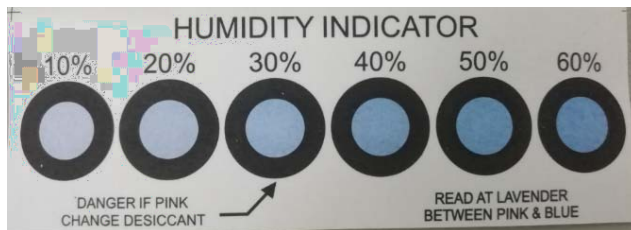
3.5.

**TOP SMD LED**

- a. 10% LED
- b. 10% 20%
- c. 10% 20% 30%



10% 20%



10% 20% 30%



LI

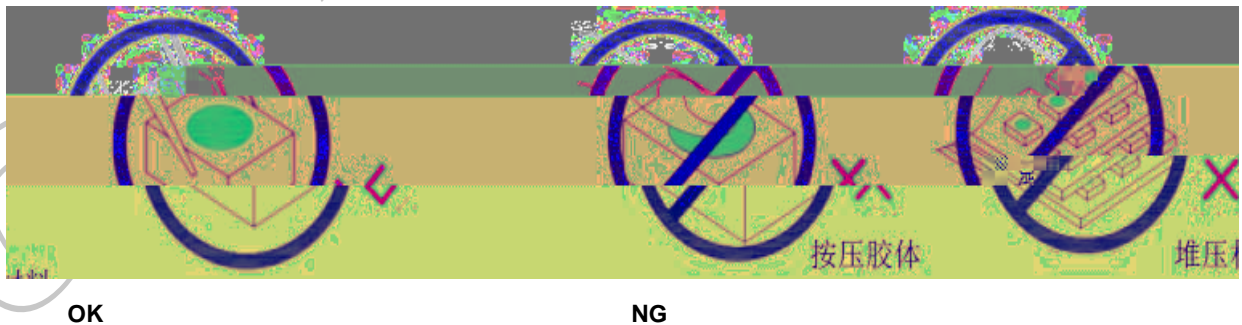
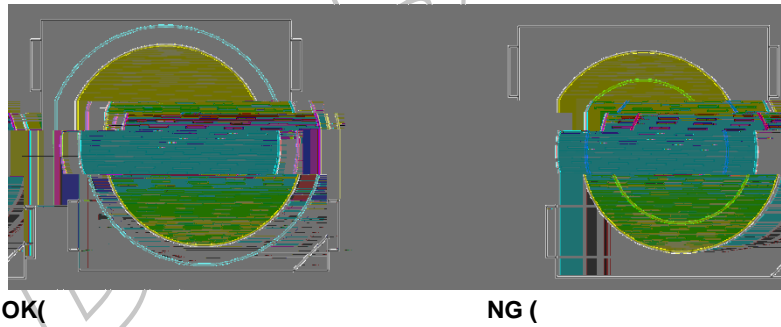
RONICS CO. LTD.



x	p	
i		
x		
i	x	
p		

3.8.

. SMT



. PCB LED 0.5T LEDs PCB PCB

3.9.

. LED LED PCB LED

. LED LED

. 60 C( 60 C,

4.0. IC

. IC LED

. IC

. IC LED LED

.

.

. LED .

4.1.

LED LED

LED